

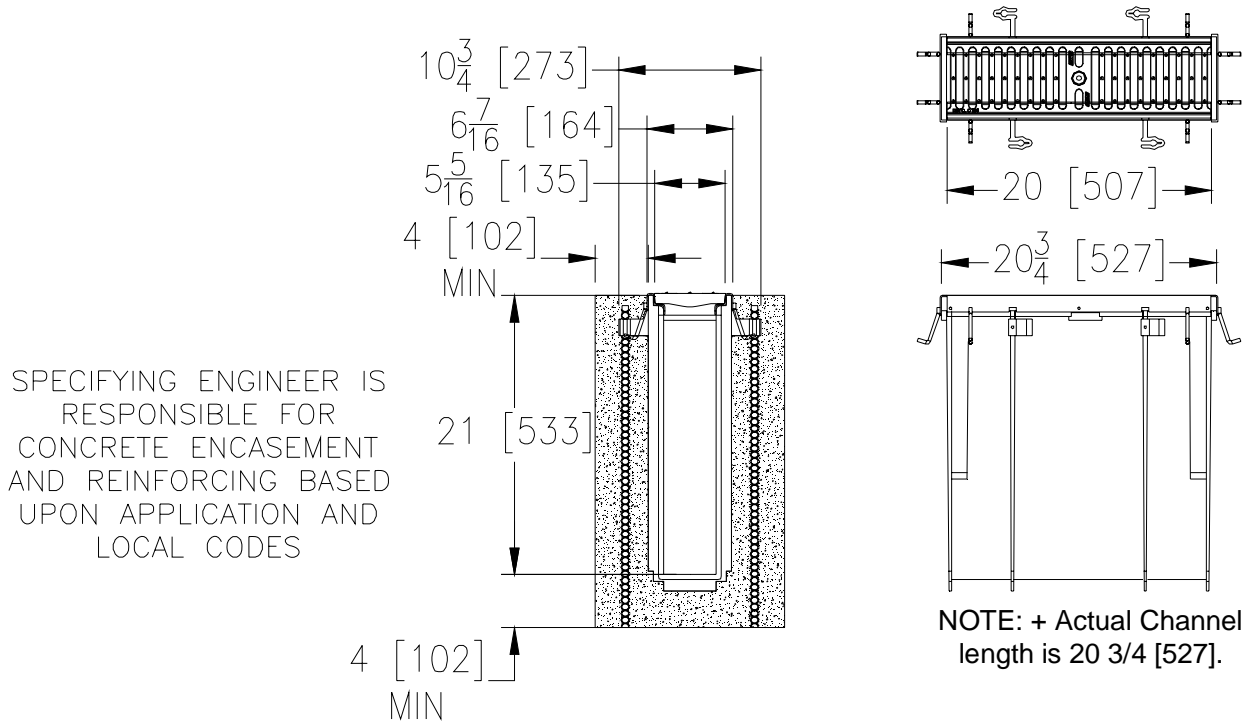


# Z887-6-HD

6-7/16 [164] WIDE REVEAL BY 20 [508] LONG CATCH BASIN WITH HEAVY-DUTY FRAME ASSEMBLY

TAG \_\_\_\_\_

Dimensional Data (inches and [ mm ]) are Subject to Manufacturing Tolerances and Change Without Notice



SPECIFYING ENGINEER IS RESPONSIBLE FOR CONCRETE ENCASEMENT AND REINFORCING BASED UPON APPLICATION AND LOCAL CODES

**ENGINEERING SPECIFICATION:** Zurn Z887-6-HD

Catch Basin shall be 6-7/16 wide reveal x 20 [508] long and 20 [508] deep. The body shall be made of 0% water absorbent High Density Polyethylene (HDPE). Shall mechanically lock into the concrete surround a minimum of every 10 [254]. Catch basin shall weigh less than 17 bs.[7.7kg] per linear foot. Catch basin shall have rebar clips standard to secure basin in its final location. Shall be provided with standard DGC grates that lock down with lockdown bars to the channel. Zurn 6 [152] wide reveal Ductile Iron Slotted Grate conforming to ASTM specification A536-84, Grade 80-55-06. Ductile iron grate is rated class C per the DIN EN1433 top load classifications. Supplied in 20 [508] nominal lengths with 1/2 [13] wide slots, and 3/4 [19] bearing depth. Grate has an open area of 18.57 sq. in per ft. [39,307 sq. mm per meter]. The 0.105 [2.66] thick Heavy-Duty Carbon Steel Frame Assembly conforms to ASTM specification A36 with 4 - 4 [102] long concrete anchors per basin. Frame supplied with powder coated finish. All welds must be performed by a certified welder per ASTM standard AWS D1.1. Frames shall be produced in the U.S.A.

**PREFIX OPTIONS (Check/specify appropriate options)**

\_\_\_ Z 6-inch by 20-inch High Density Polyethylene (HDPE)\*

**SUFFIX OPTIONS (Check/specify appropriate options)**

**Outlet Adapters Add/Each**

___ -E3 3 [76] No-Hub End Outlet	___ -U3 3 [76] No-Hub Bottom Outlet
___ -E4 4 [102] No-Hub End Outlet	___ -U4 4 [102] No-Hub Bottom Outlet
___ -E6 6 [152] No-Hub End Outlet	___ -U6 6 [152] No-Hub Bottom Outlet

**Frame Options**

\_\_\_ -CBF Black Acid Resistant Coated Top Frame  
 \_\_\_ -CWF White Acid Resistant Coated Top Frame

**Grate Options (Load Classifications are per DIN EN1433)**

\_\_\_ -BDC Black Acid Resistant Epoxy Coated Ductile Grate - Class C  
 \_\_\_ -BDE Black Acid Resistant Epoxy Coated Ductile Grate - Class E  
 \_\_\_ -BG Galvanized Ductile Iron Bar Grate - Class C  
 \_\_\_ -DBG Ductile Iron Cast Bar Grate - Class C  
 \_\_\_ -DC Ductile Iron Solid Cover - Class C  
 \_\_\_ -DGC Ductile Iron Slotted Grate - Class C\*  
 \_\_\_ -DGE Ductile Iron Slotted Grate - Class E  
 \_\_\_ -GDC Galvanized Ductile Slotted Grate - Class C  
 \_\_\_ -GHPD Galvanized Heel-Proof Ductile Grate - Class C  
 \_\_\_ -HPD Heel-Proof Ductile Slotted Grate - Class C

**MADE in the U.S.A. (Load Classifications are per DIN EN1433)**

\_\_\_ -BDE-USA Black Acid Resistant Epoxy Coated Ductile Grate - Class E  
 \_\_\_ -DGC-USA Ductile Iron Slotted Grate - Class C  
 \_\_\_ -DGE-USA Ductile Iron Slotted Grate - Class E  
 \_\_\_ -GDC-USA Galvanized Ductile Slotted Grate - Class C  
 \_\_\_ -GDE-USA Galvanized Ductile Slotted Grate - Class E  
 \_\_\_ -PPC Plastic Perforated Grate - Class C

**Miscellaneous Options**

\_\_\_ -DB Bottom Dome Strainer  
 \_\_\_ -VP Vandal-Proof Lockdown  
 \_\_\_ -Y Sediment Bucket

**Decorative Grate Options (Load Classifications are per DIN EN1433)**

\_\_\_ -SBG Stainless Bar Grate - Class E

**Miscellaneous Options**

\_\_\_ -IA Inlet Adapter - Z886

REV. A	DATE: 05/05/11	C.N. NO. 121216
DWG. NO. 302142	PRODUCT NO. Z887-6-HD	

\*REGULARLY FURNISHED UNLESS OTHERWISE SPECIFIED